

MLT-X735

TECHNICAL DATA SHEET



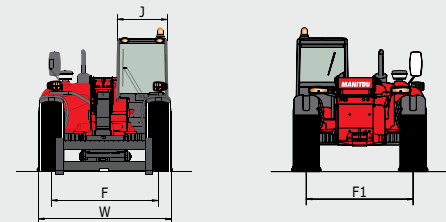
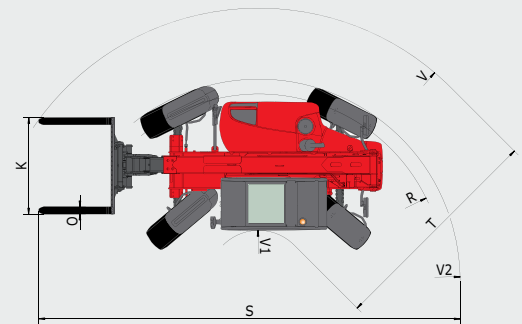
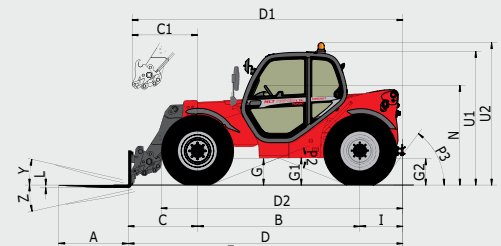
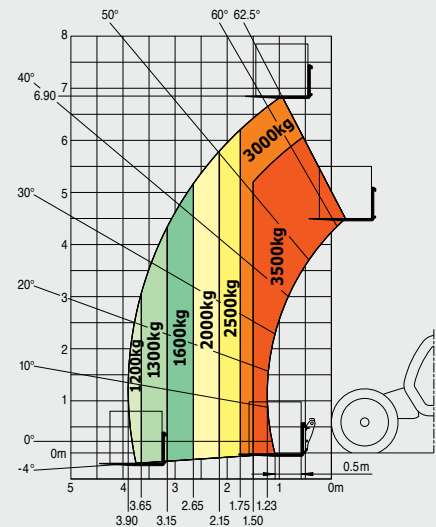
MLT-X735

| | MLT-X 735 TLSU | MLT-X 735-120 LSU |
|--|--|-------------------------|
| | Lifting capacity at 500 mm from fork heels | |
| | 3500 kg | |
| | Break-out force | |
| | 3600 daN | 3700 daN |
| | Lifting height | |
| | 6.90 m | |
| | Time: laden/unladen (in sec) | |
| | Lifting | |
| | 7.30/7.50 | 6.70/7.30 |
| | Lowering | |
| | 5.60/5.60 | 4.80/4.60 |
| | Extension | |
| | 8.20/8.30 | 7.10/7.30 |
| | Retraction | |
| 6.60/6.80 | 5.70/5.50 | |
| Crowd | | |
| 3.20 | 2.00 | |
| Dump | | |
| 2.70 | 2.30 | |
| | 460/70 R24 | |
| | Forks (mm) | |
| | Length x width x thickness | |
| 1200 x 125 x 45 | | |
| Carriage rotation | | |
| 146° | | |
| | multiple-disk brake with oil bath on front and rear axles | |
| | PERKINS STAGE III A engine | |
| | 1104D-44TA | 1104E-44 TA |
| | Cubic capacity | |
| | 4 cyl. Turbo/4400 cm ³ | |
| | Power at 2200 rpm (ISO/TR 14396) | |
| | 101 HP/74.5 kW | 124 HP/91 kW |
| Max. torque at 1400 rpm (ISO/TR 14396) | | |
| 410 Nm | 490 Nm | |
| Injection | | |
| direct | | |
| Cooling | | |
| water | | |
| | Transmission | |
| | torque converter | |
| | Gearbox | |
| | Powershuttle | |
| Number of gears (forward/reverse) | | |
| 4/4 | | |
| Max. travel speed | | |
| 35 kph* | | |
| | Hydraulics | |
| | 110 l/min - 270 bar | 150 l/min - 270 bar |
| | Piston pump | variable cubic capacity |
| electronically controlled | variable cubic capacity | |
| Control valve | | |
| DDIC | | |
| | Capacities | |
| | Hydraulic oil | |
| 135 l | | |
| Fuel | | |
| 120 l | | |
| | Unladen weight (with forks) | |
| | 7075 kg | 7100 kg |
| | Width overall | |
| | 2.40 m | |
| | Height overall | |
| | 2.30 m | |
| | Length overall | |
| | 4.87 m | |
| | Turning radius (outer wheels) | |
| | 3.77 m | |
| Ground clearance | | |
| 0.44 m | | |
| Drawbar pull | | |
| up to 8770 daN | | |
| Noise at driving position (LpA) | | |
| 79 dB | | |
| Environmental noise (LwA) | | |
| 106 dB | | |
| Vibration to whole hand/arm | | |
| < 2.5 m/s ² | | |

| | | | | |
|-----------------|-----------------|---------------|-----------------|------------------|
| mm | D2 4165 | I 789 | P3 53° | V1 1310 |
| A 1200 | E 5990.4 | J 980 | R 3685 | V2 3918.5 |
| B 2810 | F 1935 | K 1260 | S 7714.9 | W 2402 |
| C 1191.4 | F1 1935 | L 45 | T 3575 | Y 12.5° |
| C1 1287 | G 450 | N 1715 | U1 2295 | Z 133.7° |
| D 4790.4 | G1 435 | O 125 | U2 2545 | |
| D1 4886 | G2 435 | P2 38° | V 4885 | |

Maximum height reach: 1.03 m

As per standard EN 1459 annex B



This brochure describes versions and configuration options for Manitou products which may be fitted with different equipment. The equipment described in this brochure may be standard, optional or not available depending on version. Manitou reserves the right to change the specifications shown and described at any time and without prior warning. The manufacturer is not liable for the specifications given. For more information, contact your Manitou dealer. Non-contractual document. Product descriptions may differ from actual products. List of specifications is not comprehensive. The logos and visual identity of the company are the property of Manitou and may not be used without authorisation. All rights reserved. The photos and diagrams contained in this brochure are provided for information only.

MANITOU BF SA - Limited company with board of directors - Share capital: 39,547,824 euros - 857 802 508 RCS Nantes

